

Single Layer Conveyor Belt Magnetic Separator Machine

This single layer magnetic conveyor belt separator is applied to eliminate metal from kinds of raw material like large granular material in plastic, silica sand, activated carbon, wood, etc. We are also accepting ODM and OEM orders.

Single-layer Magnetic Belt Conveyor Separator Specification

- 1.The Rack parts are made of stainless steel or steel
- 2.Magnetic drum is Neodymium type strong magnet
- 3.Strongest magnetic field of 1 layer Magnetic Belt Conveyor Separator is up to 15000GS
4. Applied to large granular materials
- 5.Conveyor belt is transmitted in continuous adjustable speed by the motor.
- 6.Drum/Roller iron remover's service life: 3 years
- 7.Magnetic separator input voltage is AC 380V or customized

PRODUCT DISPLAY



Why Choose US

1. Simple structure, simple operating

- 2. High performance, long lifespan
- 3. Low wastage, convenient maintenance
- 4. Full-automatic

PRODUCT DETAIL

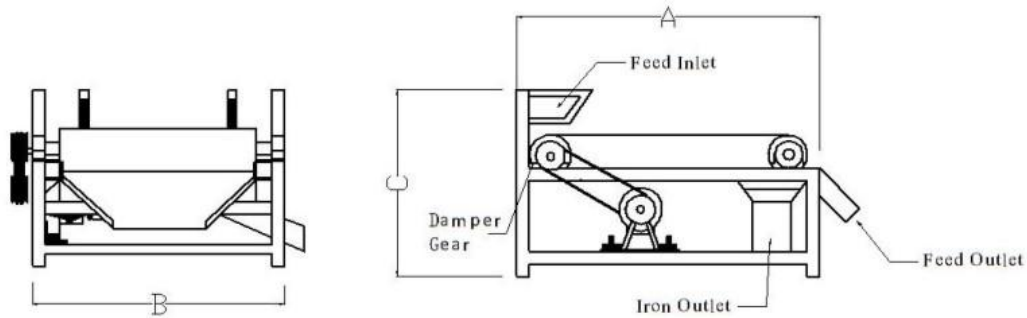


Product Parameters

Model	Voltage	Specification	Performance	Belt width	Capacity	Rack material	A	B	C
FNS-QCKPD-100	380V	Φ100*700mm	4500GS	700mm*0.2	1T-3T	Iron	1500mm	850mm	1200mm
FNS-QCPD-100	380V	Φ100*700mm	12000GS	700mm*0.2	1T-3T	Iron	1500mm	850mm	1200mm
FNS-QCPD-150	380V	Φ150*700mm	15000GS	700mm*0.2	1T-3T	Iron	1500mm	850mm	1200mm
FNS-PCPD-159	380V	Φ159*700mm	3000GS	700mm*0.2	1T-3T	Iron	1500mm	850mm	1200mm
FNS-PCPD-219	380V	Φ219*700mm	3000GS	700mm*0.2	1T-3T	Iron	1500mm	850mm	1200mm
FNS-PCPD-300	380V	Φ300*700mm	3000GS	700mm*0.2	1T-3T	Iron	1500mm	850mm	1200mm

Magnetic roll separator specification can be customized

Sketch Map



Foshan ORO Magnet Co., Ltd has its own factory and original technology, we produce dry drum magnetic separators for customers to remove iron impurities, and the dry type drum magnetic separators' feed inlet and outlet parts can be customize according to customers requirement to fit their production systems.

APPLICATION



Rubber



Quartz sand



Activated carbon



Plastic particles



Color Masterbatch

•Drum separator is possible to separate very fine low magnetic minerals, the high gradient separator is produced and having a series of standard sizes magnetic systems.
Drum separator system also can be tailored by orders.

•The most significant characteristic of drum separator is the used magnets an alloy of rare earth elements which own strong magnetic performance as well as more power.

More Product Pictures

